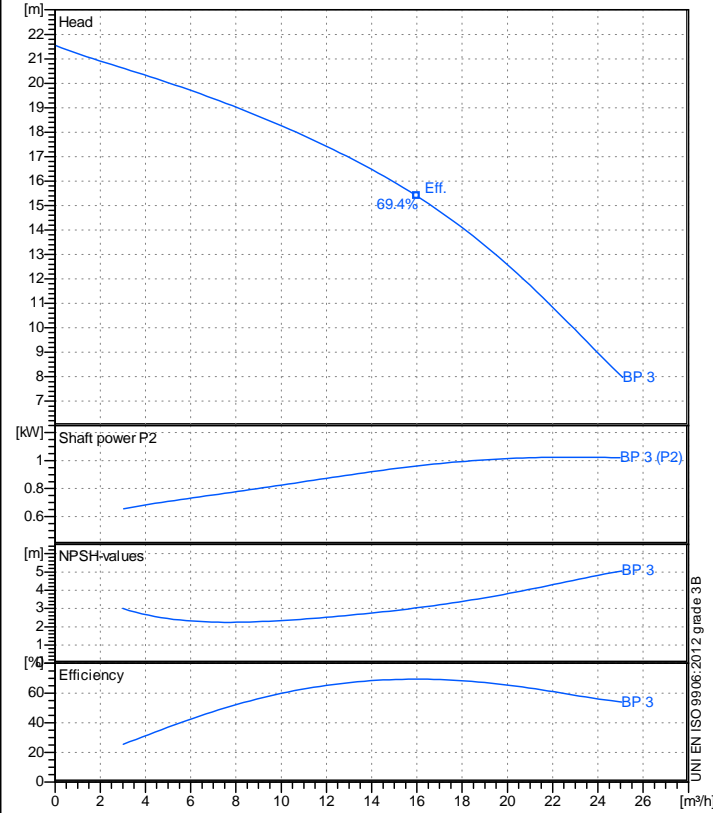


Receiver

From

 Company name
 Respons. Department
 Person in charge
 Phone number
 Fax no
 E-mail address

SAER Elettropompe Spa


Operating data specification

Nominal flow	m³/h	0
Nominal head	m	0
Static head	m	0
NPSH - v value of plant	m	0
Inlet pressure	bar	0.09793
Fluid		Water, pure
Operating temperature t A	°C	20
Density at t A	kg/dm³	0.9983
Kin. viscosity at t A	mm²/s	1.005

Pump

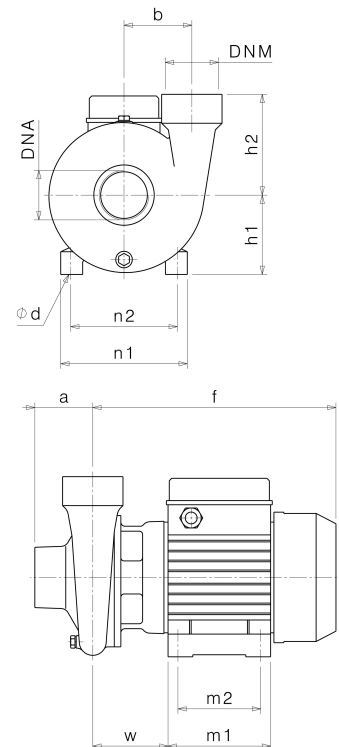
Pump name	BP 3			
Size				
Design				
Speed	1/min	2850	No of stages	1
Impeller type				
Flow	Nominal	m³/h		
	Max-	m³/h	25.1	
	Min-	m³/h	0	
Head	Nominal	m		
	Max-	m	21.5	
	Min-	m	7.97	
Head H(Q=0)	m	21.5		
NPSH 3%	m			
Max. working pressure	bar	2.11		
Shaft power	kW			
Efficiency	%			
Max absorbed power	kW	1.0247		

Materials Pump

Shaft	Stainless steel AISI 420 (1.4028)
Impeller	Carbon steel G20Mn5 (1.6620)
Pump body	Cast iron EN-GJL-200
Support	Cast iron EN-GJL-200
OR	NBR Rubber
Mechanical seal	BXPG (Gra/Cer/NBR)

Dimensions in mm

a	70
DNA	G 2"
DNM	G 2"
f	294
h1	96
h2	122
m1	124
m2	100
n1	152
n2	125
ød	9
w	88



Motor	Frame size	80		
Manufacturer / Type	SAER 80 2 - 0,75 1~			
Rated power	kW	0.75	Efficiency 4/4	0 %
Electric current	A	6.8 A	Speed	1/min 2950
Electric voltage	V	230 V	1~	Hz 50
Starting mode	Unknown			
Degree of protection	IP 44	Insulation class	F	

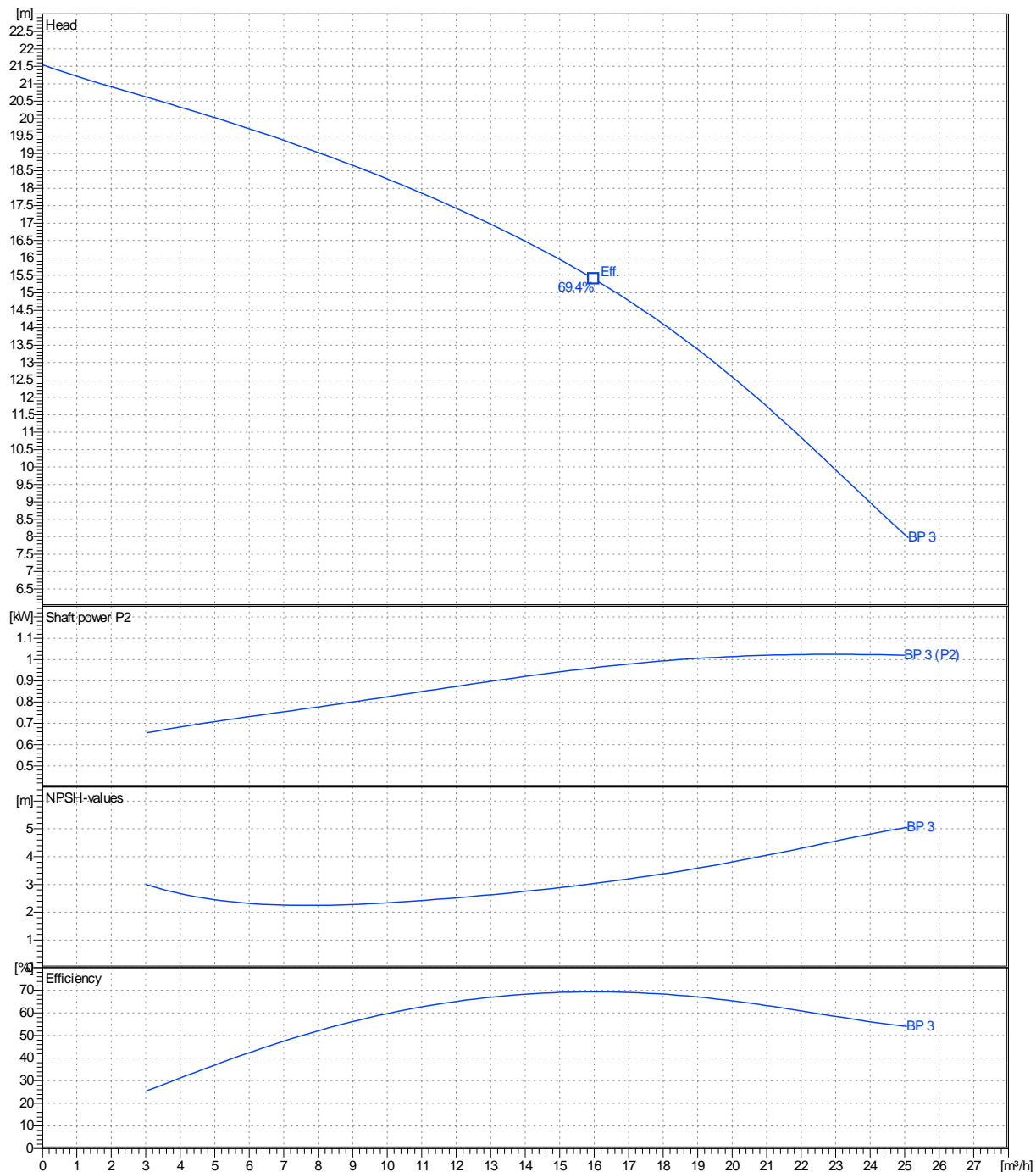
Remarks:

Project	Project ID	Created by	Created on	Last update
			18/08/2023	

Receiver	From
Company name	SAER Elettropompe Spa
Respons. Department	
Person in charge	
Phone number	
Fax no	
E-mail address	

Operating area	Flow	Head	Impeller type
Operating data specification	0 m ³ /h	0 m	Impeller construction
Pump data	m ³ /h	m	Sense of rotation
			Outlet width
			G2"
			Speed
			1/min 2850
			Frequency
			Hz 50 Hz

Performance data based to: Water, pure [100%] ; 20°C; 0.998kg/dm³; 1mm²/s UNI EN ISO 9906:2012 - Grade 3B



Project	Project ID	Created by	Created on	Last update
			18/08/2023	