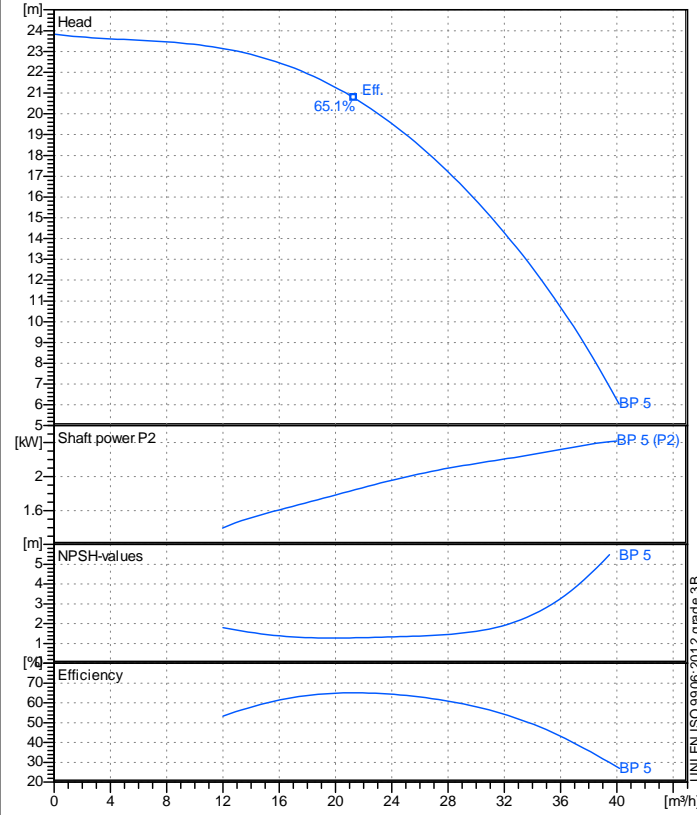


Company name
 Respons. Department
 Person in charge
 Phone number
 Fax no
 E-mail address

Receiver	From
	SAER Elettropompe Spa



Operating data specification

Nominal flow	m³/h 0
Nominal head	m 0
Static head	m 0
NPSH - v value of plant	m 0
Inlet pressure	bar 0.09793
Fluid	Water, pure
Operating temperature t A	°C 20
Density at t A	kg/dm³ 0.9983
Kin. viscosity at t A	mm²/s 1.005

Pump

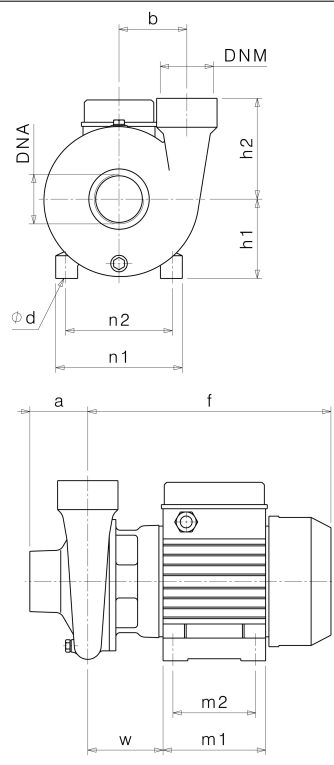
Pump name		BP 5	
Size			
Design			
Speed 1/min	2850	No of stages	1
Impeller type			
Flow	Nominal	m³/h	
	Max-	m³/h 40.1	
	Min-	m³/h 0	
Head	Nominal	m	
	Max-	m 23.8	
	Min-	m 6.03	
Head H(Q=0)		m 23.8	
NPSH 3%		m	
Max. working pressure		bar 2.33	
Shaft power		kW	
Efficiency		%	
Max absorbed power		kW 2.4197	

Materials Pump

Shaft	Stainless steel AISI 420 (1.4028)
Impeller	Carbon steel G20Mn5 (1.6620)
Pump body	Cast iron EN-GJL-200
Support	Cast iron EN-GJL-200
OR	NBR Rubber
Mechanical seal	BXPG (Gra/Cer/NBR)

Dimensions in mm

a	70
b	82
DNA	G 2"
DNM	G 2"
f	294
h1	96
h2	122
m1	124
m2	100
n1	152
n2	125
ød	9
w	88



Motor		Frame size	90 S	
Manufacturer / Type		SAER 90 S 2 - 1,5 1~		
Rated power	kW	1.5	Efficiency 4/4	0 %
Electric current	A	11.5 A	Speed	1/min 2950
Electric voltage	V	230 V	1~	Hz 50
Starting mode		Unknown		
Degree of protection		IP 44	Insulation class	F

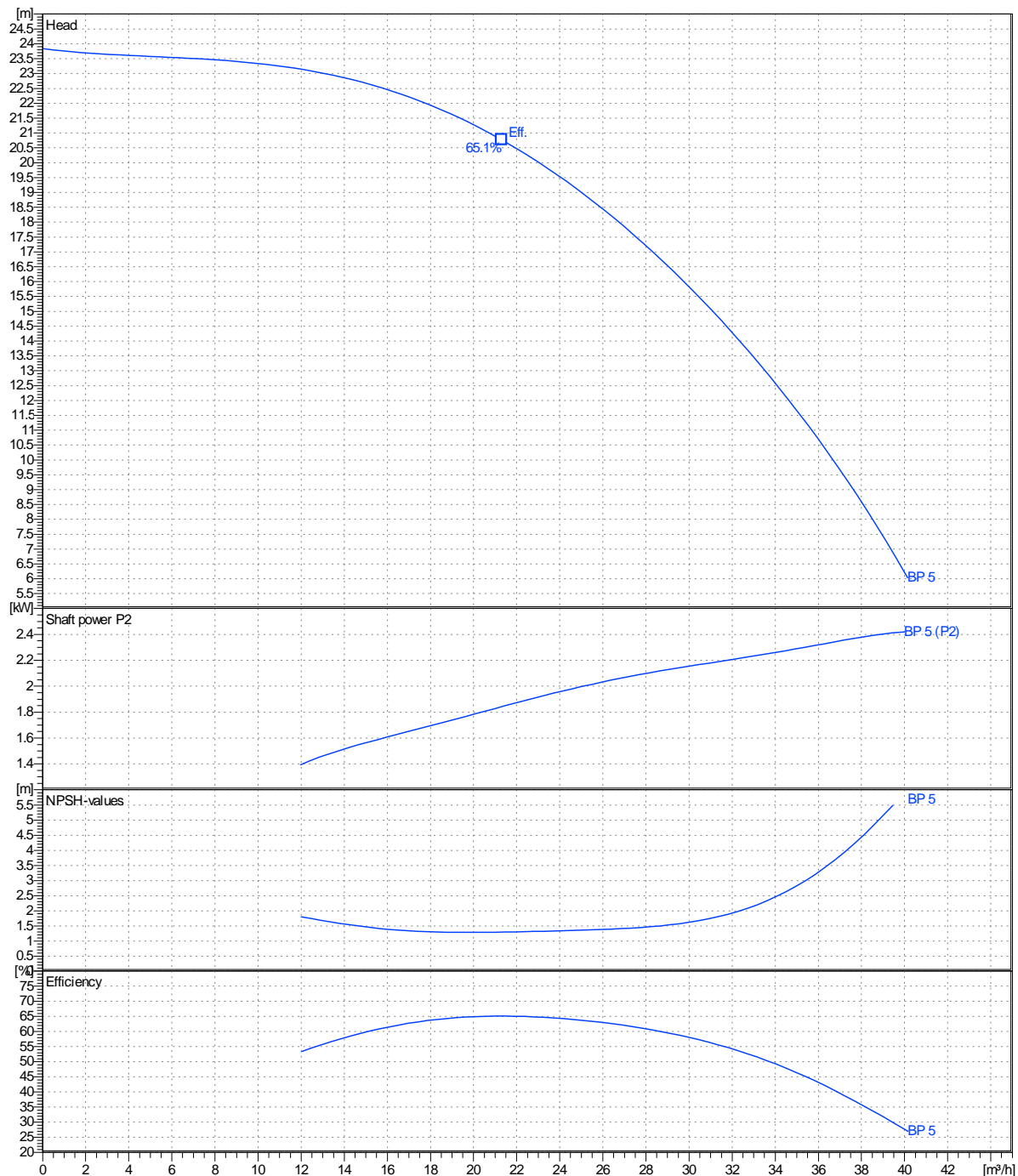
Remarks:				
Project	Project ID	Created by	Created on	Last update
			18/08/2023	

Receiver	From
Company name	SAER Elettropompe Spa
Respons. Department	
Person in charge	
Phone number	
Fax no	
E-mail address	

Operating area	Flow	Head	Impeller type
Operating data specification	0 m ³ /h	0 m	Impeller construction
Pump data	m ³ /h	m	Sense of rotation
			Outlet width
			G2"
	Min.	Max.	Speed
	Max.	η Max.	1/min
	η Max.	P2(Q=0)	Hz
	m ³ /h	kW	2850
	m ³ /h	kW	50 Hz
	m ³ /h	kW	
	m	kW	
	m	kW	
	0	2.42	
	40.1	1.84	
	21.3		
	23.8		
	20.8		

Performance data based to: Water, pure [100%] ; 20°C; 0.998kg/dm³; 1mm²/s

UNI EN ISO 9906:2012 - Grade 3B



Project	Project ID	Created by	Created on 18/08/2023	Last update
---------	------------	------------	---------------------------------	-------------