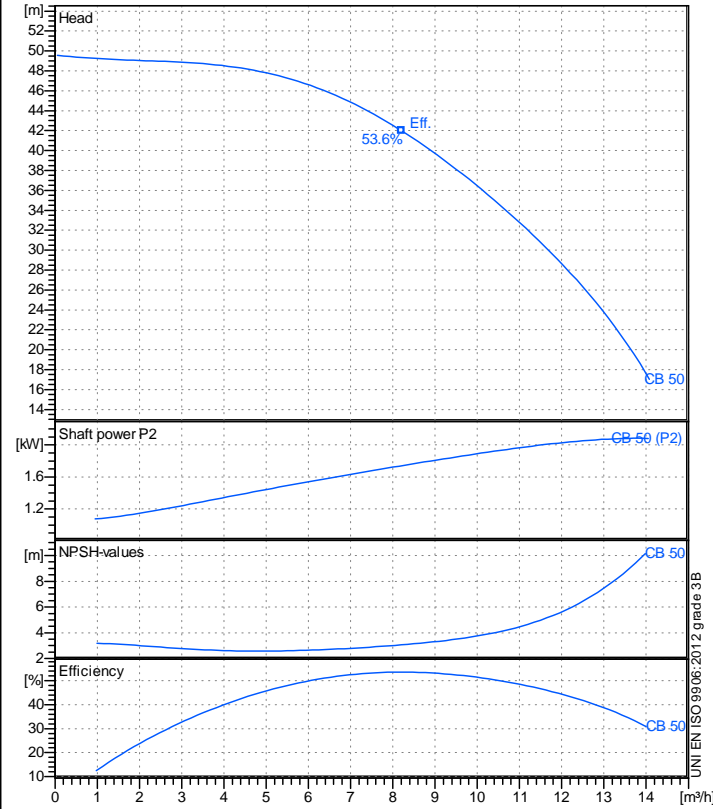


Receiver

From

Company name
Respons. Department
Person in charge
Phone number
Fax no
E-mail address

SAER Elettropompe Spa



Operating data specification

Nominal flow	m³/h 0
Nominal head	m 0
Static head	m 0
NPSH - v value of plant	m 0
Inlet pressure	bar 0.09793
Fluid	Water, pure
Operating temperature t A	°C 20
Density at t A	kg/dm³ 0.9983
Kin. viscosity at t A	mm²/s 1.005

Pump

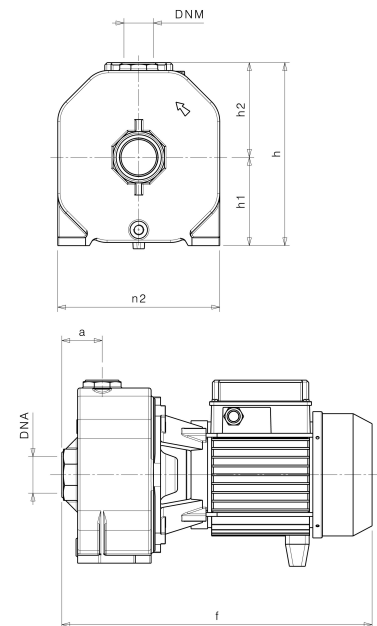
Pump name	CB 50		
Size			
Design			
Speed 1/min	2900	No of stages	1
Impeller type			
Flow	Nominal	m³/h	
	Max-	m³/h 14.1	
	Min-	m³/h 0.0526	
Head	Nominal	m	
	Max-	m 49.6	
	Min-	m 17	
Head H(Q=0)	m 49.6		
NPSH 3%	m		
Max. working pressure	bar 4.86		
Shaft power	kW		
Efficiency	%		
Max absorbed power	kW 2.0838		

Materials Pump

Shaft	Stainless steel AISI 420 (1.4028)
Impeller	Brass
Pump body	Cast iron EN-GJL-200
Support	Cast iron EN-GJL-200
OR	NBR Rubber
Mechanical seal	BXPG (Gra/Cer/NBR)
Diffuser	Thermoplastic resin

Dimensions in mm

a	51
DNA	G 1 1/2"
DNM	G 1"
f	393
h	232
h1	112
h2	120
n2	205



Motor	Frame size	90 S		
Manufacturer / Type	SAER	90 S 2 - 1,5 1~		
Rated power	kW	1.5	Efficiency 4/4	0 %
Electric current	A	11.5 A	Speed	1/min 2950
Electric voltage	V	230 V	1~	Hz 50
Starting mode	Unknown			
Degree of protection	IP 44	Insulation class	F	

Remarks:

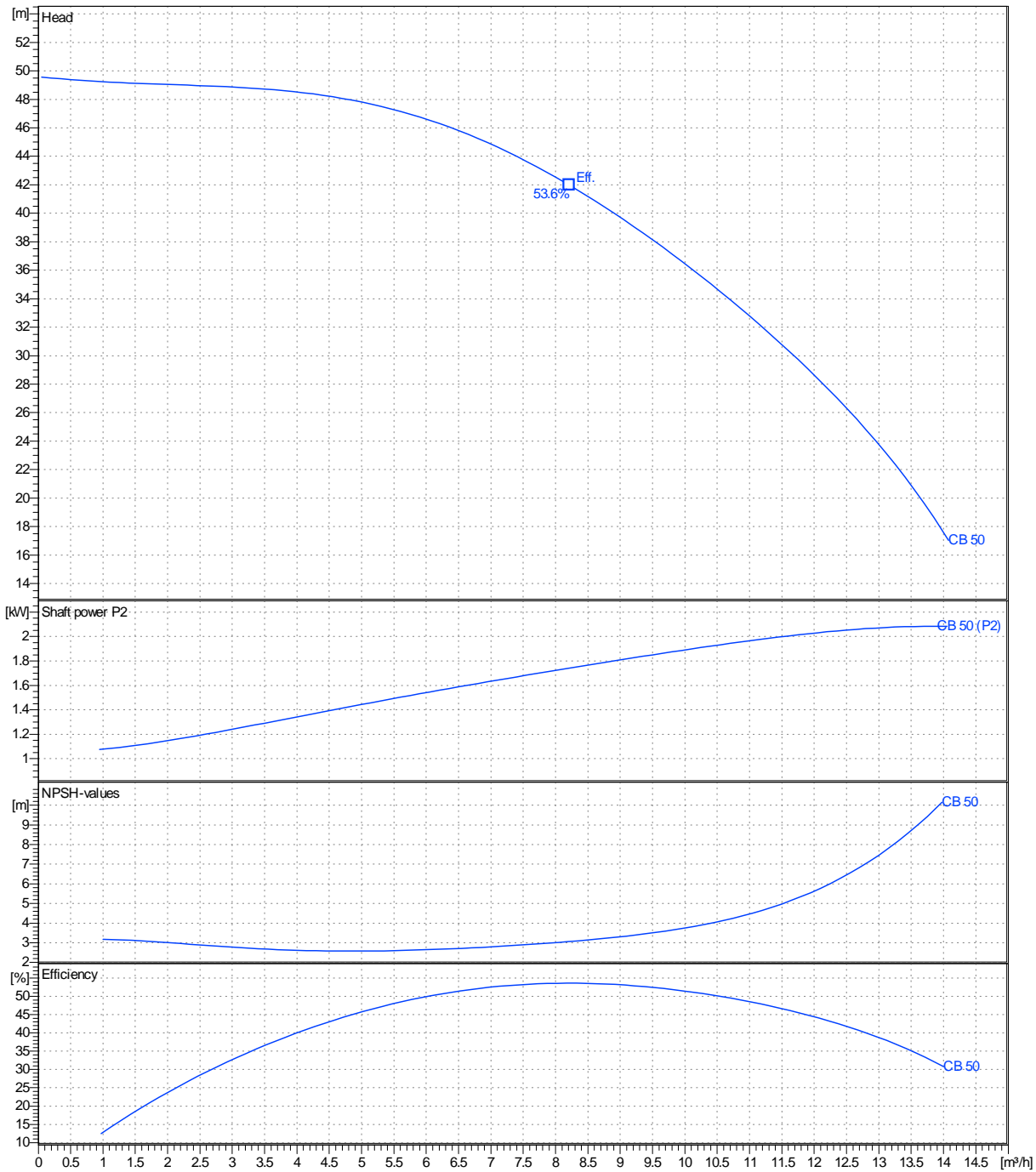
Project	Project ID	Created by	Created on	Last update
			18/08/2023	

Receiver	From
Company name	SAER Elettropompe Spa
Respons. Department	
Person in charge	
Phone number	
Fax no	
E-mail address	

Operating area	Flow	Head	Impeller type
Operating data specification	0 m ³ /h	0 m	Impeller construction
Pump data	m ³ /h	m	Sense of rotation
			Clockwise from the drive end
			Outlet width
			G1"
	Flow	Head	Shaft power P2
	Min. Max. η Max.	H(Q=0) η Max.	P2(Q=0) Max. η Max.
	m ³ /h m ³ /h m ³ /h	m m	kW kW kW
	0.0526 14.1 8.21	49.6 42	2.08 1.74
			Speed 1/min 2900
			Frequency Hz 50 Hz

 Performance data based to: Water, pure [100%] ; 20°C; 0.998kg/dm³; 1mm²/s

UNI EN ISO 9906:2012 - Grade 3B



Project	Project ID	Created by	Created on 18/08/2023	Last update
---------	------------	------------	---------------------------------	-------------