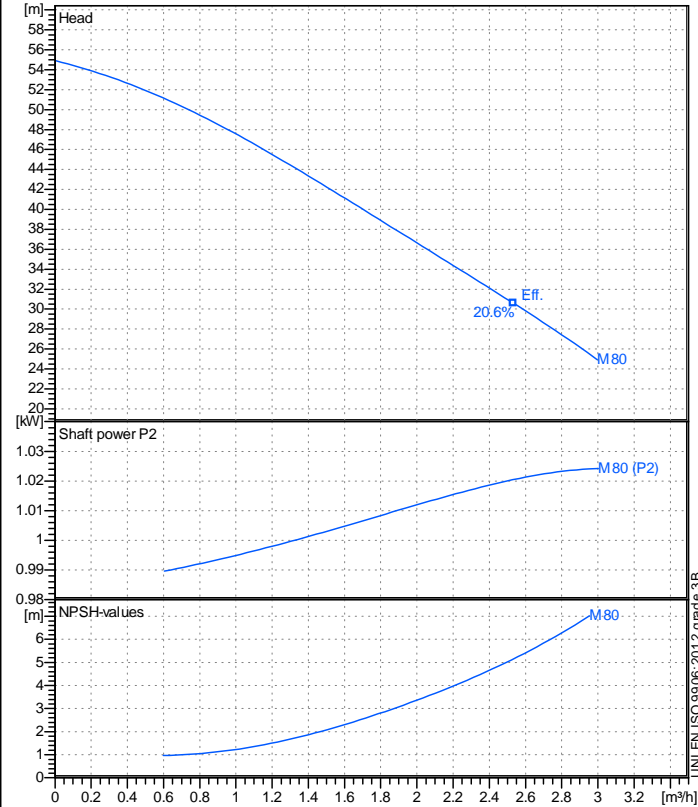


Receiver

From

 Company name
 Respons. Department
 Person in charge
 Phone number
 Fax no
 E-mail address

SAER Elettropompe Spa


Operating data specification

Nominal flow	m³/h 0
Nominal head	m 0
Static head	m 0
NPSH - v alue of plant	m 0
Inlet pressure	bar 0.09793
Fluid	Water, pure
Operating temperature t A	°C 20
Density at t A	kg/dm³ 0.9983
Kin. viscosity at t A	mm²/s 1.005

Pump

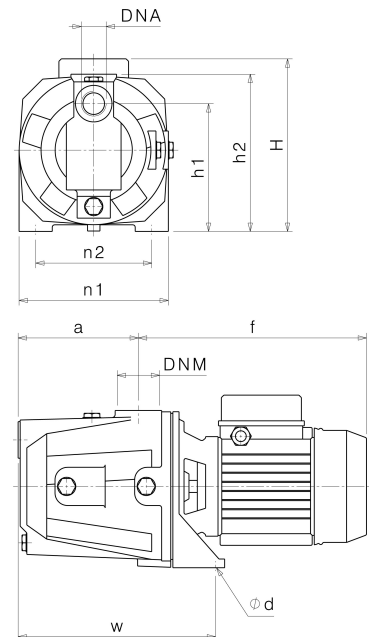
Pump name	M 80		
Size			
Design			
Speed 1/min	2850	No of stages	1
Impeller type			
Flow	Nominal	m³/h	
	Max-	m³/h 3	
	Min-	m³/h 0	
Head	Nominal	m	
	Max-	m 54.9	
	Min-	m 24.9	
Head H(Q=0)	m	54.9	
NPSH 3%	m		
Max. working pressure	bar	5.38	
Shaft power	kW		
Efficiency	%		
Max absorbed power	kW	1.0242	

Materials Pump

Pump body	Cast iron G20
Plug	Brass
Gasket	Aluminium
Nut	Brass
Impeller	Thermoplastic resin
Rotating mechanical seal	Graphite
Fixed mechanical seal	Ceramic
OR	Rubber NBR
Seal retaining disc	Stainless steel AISI 304

Dimensions in mm

a	144
DNA	G 1"
DNM	G 1"
f	277
H	207
h1	154
h2	188
n1	180
n2	140
ød	9
w	240



Motor	Frame size	80		
Manufacturer / Type	SAER 80 2 - 0,75 1~			
Rated power	kW	0.75	Efficiency 4/4	0 %
Electric current	A	6.8 A	Speed	1/min 2950
Electric voltage	V	230 V	1~	Hz 50
Starting mode	Unknown			
Degree of protection	IP 44	Insulation class	F	

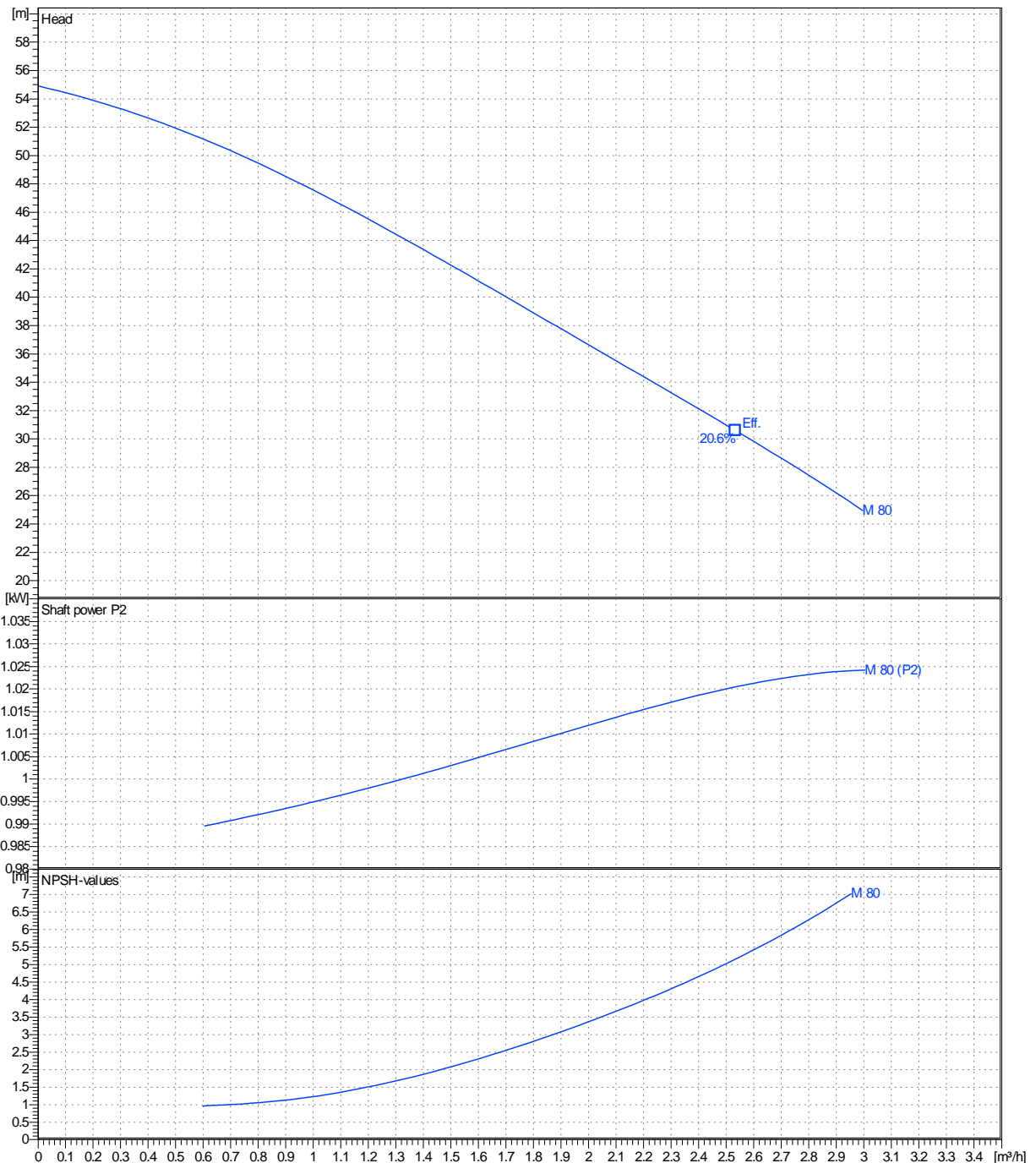
Remarks:

Project	Project ID	Created by	Created on	Last update
			18/08/2023	

Receiver		From	
Company name Respons. Department Person in charge Phone number Fax no E-mail address		SAER Elettropompe Spa	
Operating area	Flow	Head	Impeller type
Operating data specification	0 m ³ /h	0 m	Impeller construction
Pump data	m ³ /h	m	Sense of rotation
			Outlet width
			G1"
	Flow	Head	Shaft power P2
	Min. Max. η Max.	H(Q=0) η Max.	P2(Q=0) Max. η Max.
	m ³ /h m ³ /h m ³ /h	m m	kW kW kW
	0 3 2.53	54.9 30.6	1.02 1.02
			Speed
			1/min 2850
			Frequency
			Hz 50 Hz

 Performance data based to: Water, pure [100%]; 20°C; 0.998kg/dm³; 1mm²/s

UNI EN ISO 9906:2012 - Grade 3B



Project	Project ID	Created by	Created on	Last update
			18/08/2023	