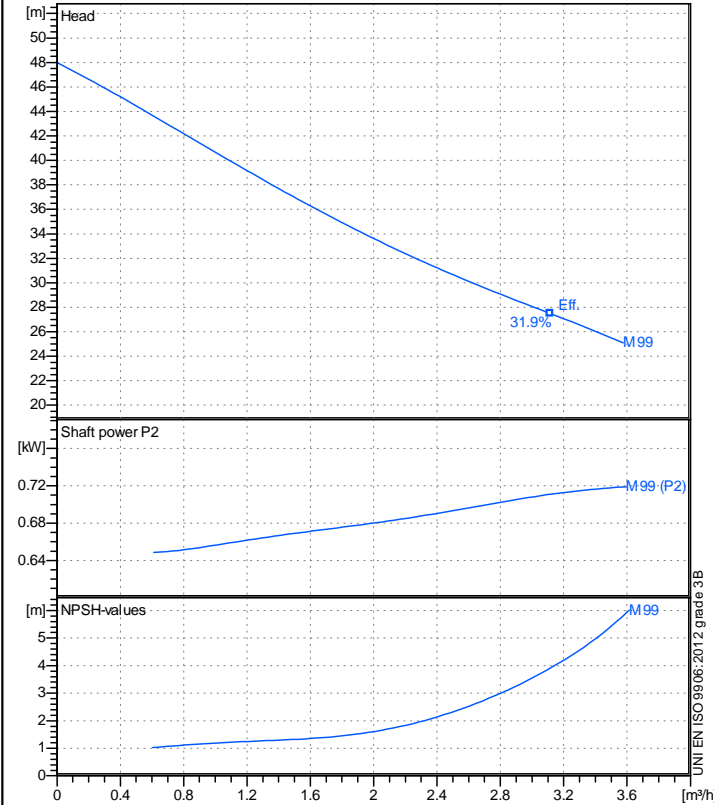


Receiver

From

 Company name
 Respons. Department
 Person in charge
 Phone number
 Fax no
 E-mail address

SAER Elettropompe Spa



Operating data specification

Nominal flow	m³/h 0
Nominal head	m 0
Static head	m 0
NPSH - v alue of plant	m 0
Inlet pressure	bar 0.09793
Fluid	Water, pure
Operating temperature t A	°C 20
Density at t A	kg/dm³ 0.9983
Kin. viscosity at t A	mm²/s 1.005

Pump

Pump name		M 99	
Size			
Design			
Speed	1/min 2850	No of stages	1
Impeller type			
Flow	Nominal	m³/h	
	Max-	m³/h 3.57	
	Min-	m³/h 0	
Head	Nominal	m	
	Max-	m 48	
	Min-	m 25.1	
Head H(Q=0)		m 48	
NPSH 3%		m	
Max. working pressure		bar 4.7	
Shaft power		kW	
Efficiency		%	
Max absorbed power		kW 0.71904	

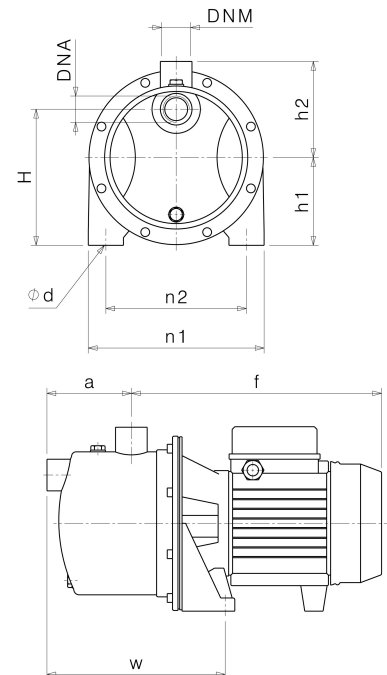
Materials Pump

Pump body	Stainless steel AISI 304 (1.4301)		
Impeller	Thermoplastic resin		
Seal disc	Stainless steel AISI 304 (1.4301)		
Shaft	Stainless steel AISI 420 (1.4028)		
Diff user	Thermoplastic resin		
Complete ejector	Thermoplastic resin		
Tenuta meccanica	BXPB (Gra/Cer/NBR)		

Motor		Frame size	80	
Manufacturer / Type		SAER 80 2 - 0,75 1~		
Rated power	kW	0.75	Efficiency 4/4	0 %
Electric current	A	6.8 A	Speed	1/min 2950
Electric voltage	V	230 V	1~	Hz 50
Starting mode		Unknown		
Degree of protection		IP 44	Insulation class	F

Dimensions in mm

a	98
DNA	G 1"
DNM	G 1"
f	295
H	155
h1	100
h2	106
n1	200
n2	160
ød	10
w	209



Remarks:

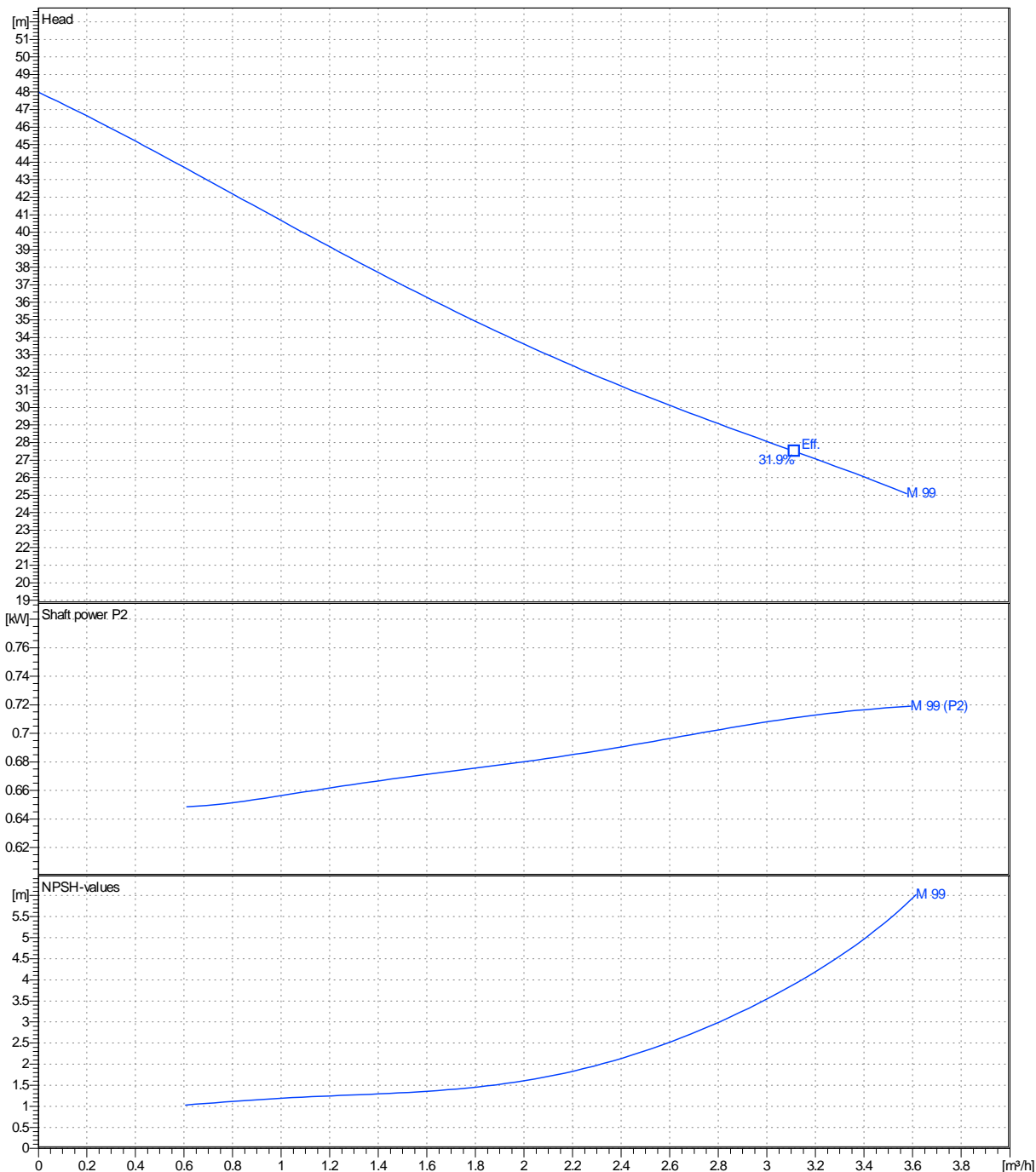
Project	Project ID	Created by	Created on	Last update
			2023-08-18	

Receiver	From
Company name	SAER Elettropompe Spa
Respons. Department	
Person in charge	
Phone number	
Fax no	
E-mail address	

Operating area	Flow	Head	Impeller type
Operating data specification	0 m ³ /h	0 m	Impeller construction
Pump data	m ³ /h	m	Sense of rotation
			Clockwise from the drive end
			Outlet width
			G1"
	Flow	Head	Shaft power P2
	Min. Max. η Max.	H(Q=0) η Max.	P2(Q=0) Max. η Max.
	m ³ /h m ³ /h m ³ /h	m m	kW kW kW
	0 3.57 3.11	48 27.5	0.719 0.711
			Speed 1/min 2850
			Frequency Hz 50 Hz

Performance data based to: Water, pure [100%] ; 20°C; 0.998kg/dm³; 1mm²/s

UNI EN ISO 9906:2012 - Grade 3B



Project	Project ID	Created by	Created on	Last update
			2023-08-18	