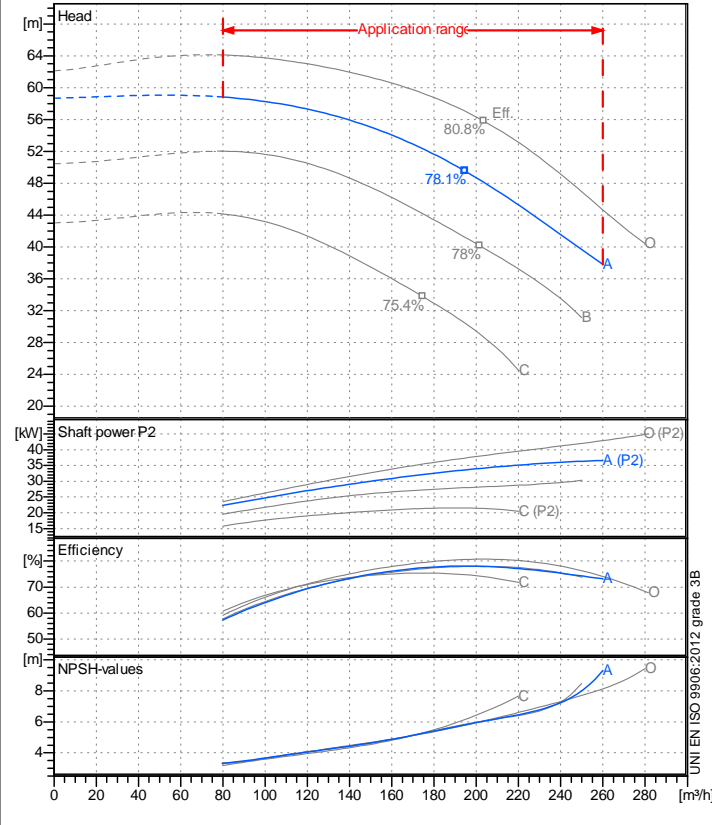


Company name	
Respons. Department	
Person in charge	
Phone number	
Fax no	
E-mail address	

Receiver	From
	SAER Elettropompe Spa



#### Operating data specification

Nominal flow	m³/h 0
Nominal head	m 0
Static head	m 0
NPSH - v value of plant	m 0
Inlet pressure	bar 0.09793
Fluid	Water, pure
Operating temperature t A	°C 20
Density at t A	kg/dm³ 0.9983
Kin. viscosity at t A	mm²/s 1.005

#### Pump

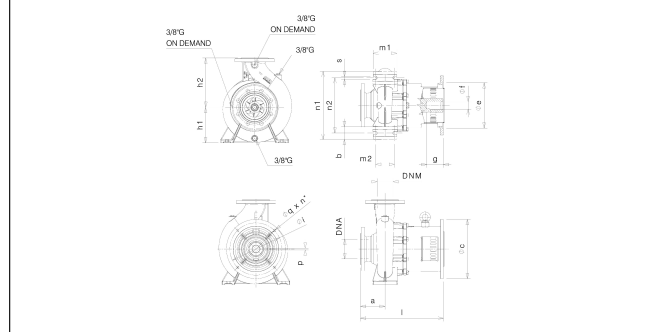
Pump name		MG 80-200A-200-2P	
Size		100/80/200	
MEI (Reg. 547/2002 EU) >		0,7	
Speed 1/min	2900	No of stages	1
Impeller type			
Flow	Nominal	m³/h	
	Max-	m³/h	260
	Min-	m³/h	80
Head	Nominal	m	
	Max-	m	58.8
	Min-	m	37.8
Head H(Q=0)	m	58.7	
NPSH 3%	m		
Max. working pressure	bar	5.75	
Shaft power	kW		
Efficiency	%		
Max absorbed power	kW	36.598	

#### Materials Pump

Shaft	Stainless steel AISI 431 (1.4057)
Impeller	Cast iron EN-GJL-250
Pump body	Cast iron EN-GJL-250
Seal disc	Cast iron EN-GJL-250
Gasket	Aramidic fiber
Mech. seal EN 12756	

#### Dimensions in mm

a	125	øi	350	DNM	DNA		
b	65	p	16	C	138	C	158
g	112	s	14	D	200	D	220
h1	180			DN	80	DN	100
h2	250			K	160	K	180
l	474			n°	8 x 18 mm		8 x 18 mm
m1	125						
m2	95						
n1	345						
n2	280						
ø c	400						
ø e	300						
ø f	55						
ø q x n°	18x4						



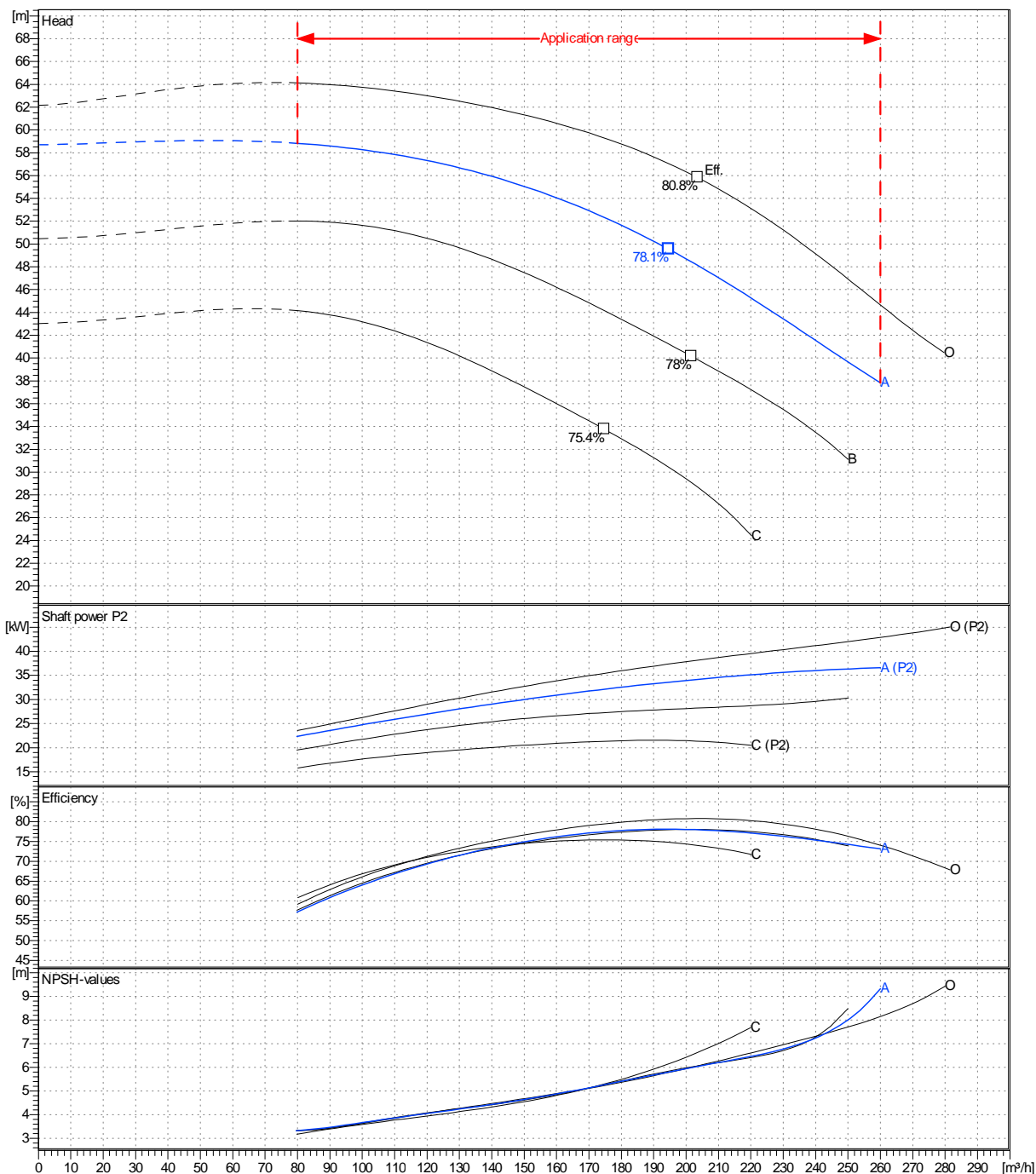
<b>Motor</b>	Manufacturer / Type		
Efficiency			
Rated power	kW	SF	Efficiency 4/4
Number of poles	Frame size		
Electric current	A	Speed	1/min
Electric voltage	V		Hz
Starting mode			
Degree of protection			

Remarks:				
Project	Project ID	Created by	Created on	Last update
			<b>2023-08-18</b>	

<b>Receiver</b>	<b>From</b>
Company name	SAER Elettropompe Spa
Respons. Department	
Person in charge	
Phone number	
Fax no	
E-mail address	

Operating area	Flow	Head	Impeller type
Operating data specification	0 m <sup>3</sup> /h	0 m	Impeller construction: Closed
Pump data	m <sup>3</sup> /h	m	Sense of rotation: Clockwise from the drive end
			Outlet width: DN80
	Flow	Head	Shaft power P2
	Min. Max. $\eta$ Max.	H(Q=0) $\eta$ Max.	P2(Q=0) Max. $\eta$ Max.
	m <sup>3</sup> /h m <sup>3</sup> /h m <sup>3</sup> /h	m m	kW kW kW
	80 260 195	58.7 49.5	36.6 33.6
			Speed: 1/min 2900
			Frequency: Hz 50 Hz

Performance data based to: Water, pure [100%]; 20°C; 0.998kg/dm<sup>3</sup>; 1mm<sup>2</sup>/s UNI EN ISO 9906:2012 - Grade 3B

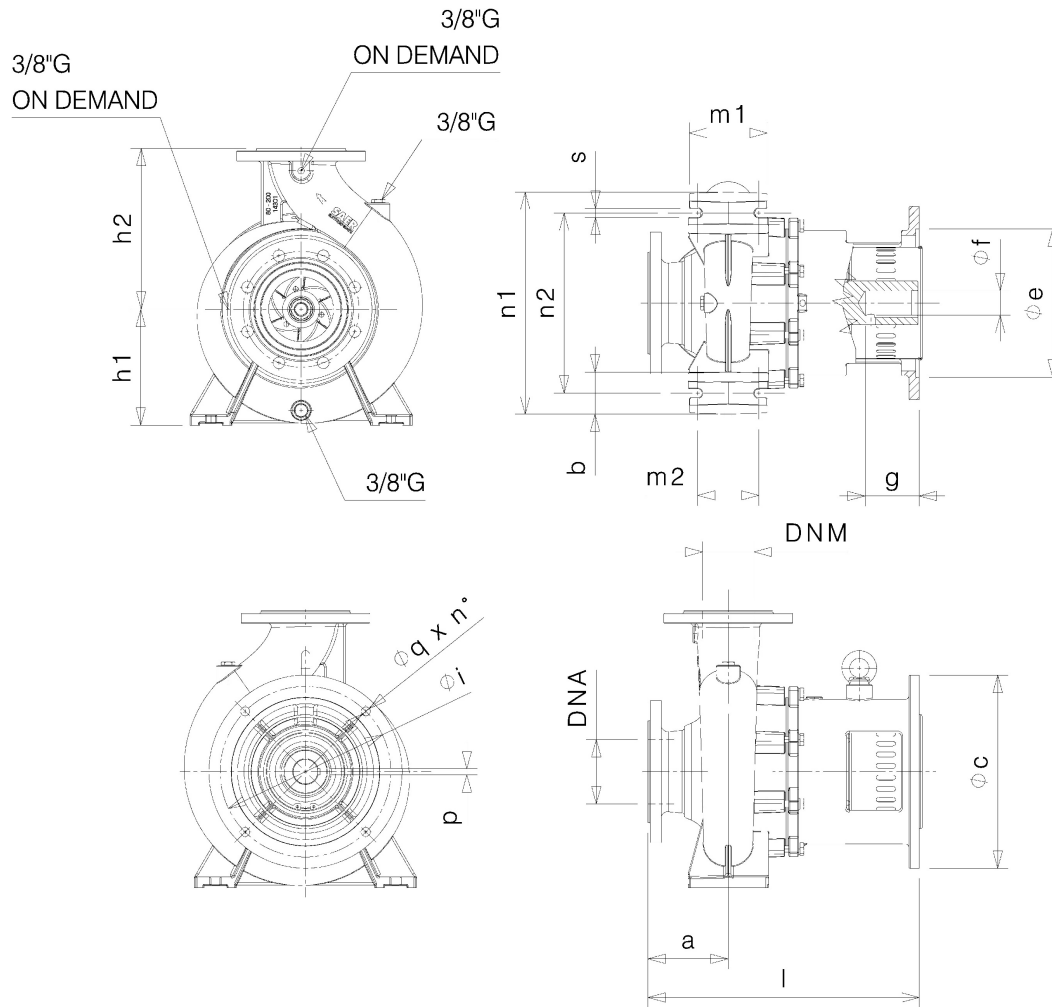


Project	Project ID	Created by	Created on	Last update
			2023-08-18	

Revision no

SAER Elettropompe Spa

Pump dimensions



Disegni dimensionati e immagini non vincolanti. Saer si riserva il diritto di effettuare cambiamenti senza alcun preavviso. Dimensional drawing and picture are not binding. Saer reserves the right to make changes without prior notice.

Connections

Suction side	Discharge port
DN100	DN80
PN10/16	PN10/16

Dimensions in mm

a	125
b	65
g	112
h1	180
h2	250
l	474
m1	125
m2	95
n1	345
n2	280
ø c	400
ø e	300
ø f	55
ø q x n°	18x4
ø i	350
p	16
s	14

Project

Project ID

Created by

Created on  
**2023-08-18**

Last update