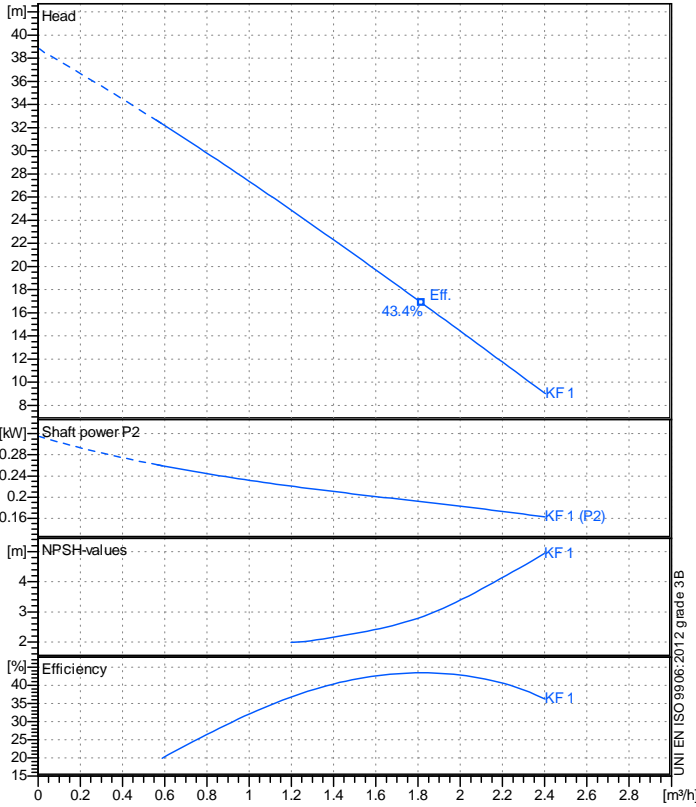


Receiver

From

 Company name
 Respons. Department
 Person in charge
 Phone number
 Fax no
 E-mail address

SAER Elettropompe Spa


Operating data specification

| | |
|---------------------------|---------------------------|
| Nominal flow | m ³ /h 0 |
| Nominal head | m 0 |
| Static head | m 0 |
| NPSH - v alue of plant | m 0 |
| Inlet pressure | bar 0.09793 |
| Fluid | Water, pure |
| Operating temperature t A | °C 20 |
| Density at t A | kg/dm ³ 0.9983 |
| Kin. viscosity at t A | mm ² /s 1.005 |

Pump

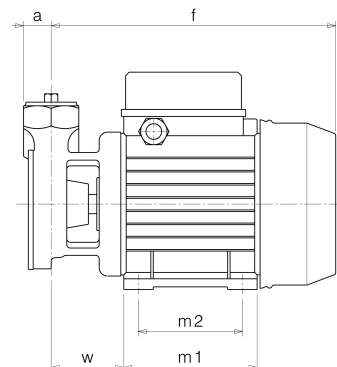
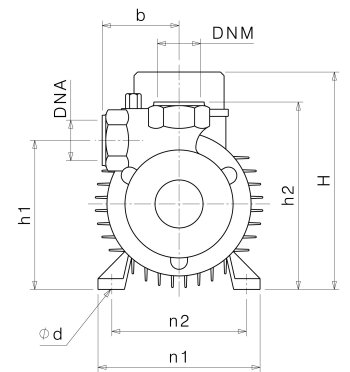
| | | | |
|-----------------------|---------------------|-------------------|-------|
| Pump name | KF 1 | | |
| Size | | | |
| Design | | | |
| Speed 1/min | 2850 | No of stages | 1 |
| Impeller type | Peripheral impeller | | |
| Flow | Nominal | m ³ /h | |
| | Max- | m ³ /h | 2.4 |
| | Min- | m ³ /h | 0.581 |
| Head | Nominal | m | |
| | Max- | m | 32.4 |
| | Min- | m | 9 |
| Head H(Q=0) | m | 38.8 | |
| NPSH 3% | m | | |
| Max. working pressure | bar | 3.8 | |
| Shaft power | kW | | |
| Efficiency | % | | |
| Max absorbed power | kW | 0.25949 | |

Materials Pump

| | |
|-----------------|-----------------------------------|
| Shaft | Stainless steel AISI 420 (1.4028) |
| Impeller | Brass |
| Pump body | Cast iron EN-GJL-200 |
| Support | Cast iron EN-GJL-200 |
| OR | NBR Rubber |
| Mechanical seal | BXPG (Gra/Cer/NBR) |

Dimensions in mm

| | |
|-----|------|
| a | 23 |
| DNA | G 1" |
| DNM | G 1" |
| f | 225 |
| H | 166 |
| h1 | 109 |
| h2 | 143 |
| m1 | 100 |
| m2 | 80 |
| n1 | 120 |
| n2 | 100 |
| ød | 7 |
| w | 60 |



| | | | | |
|----------------------|---------------------|------------------|----------------|------------|
| Motor | Frame size | 71 | | |
| Manufacturer / Type | SAER 71 2 - 0,37 1~ | | | |
| Rated power | kW | 0.37 | Efficiency 4/4 | 0 % |
| Electric current | A | 2.3 A | Speed | 1/min 2950 |
| Electric voltage | V | 230 V | 1~ | Hz 50 |
| Starting mode | Unknown | | | |
| Degree of protection | IP 44 | Insulation class | F | |

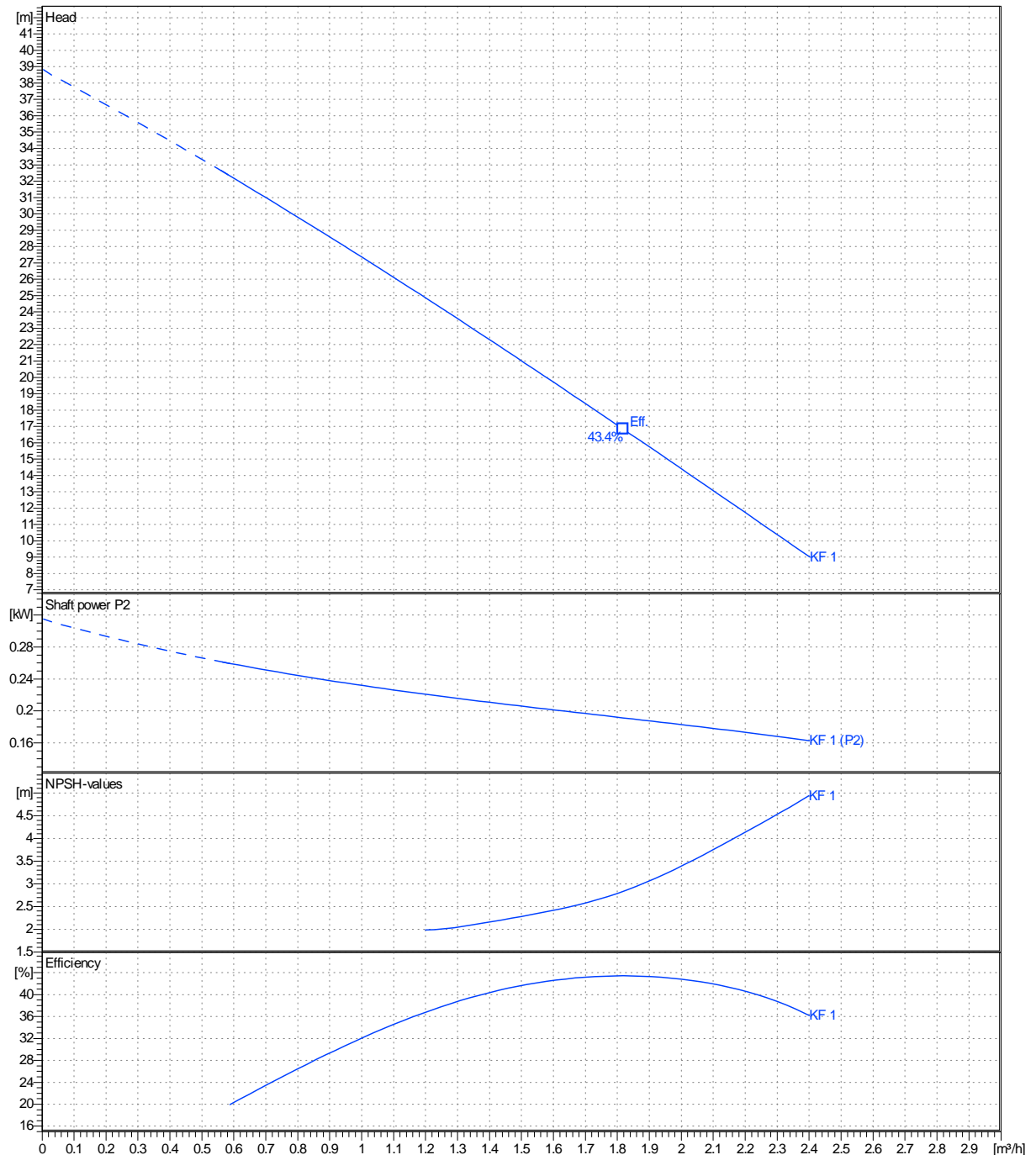
Remarks:

| | | | | |
|---------|------------|------------|------------|-------------|
| Project | Project ID | Created by | Created on | Last update |
| | | | 18/08/2023 | |

| | | | |
|---|---|-----------------------|--------------------------|
| Receiver | | From | |
| Company name Respons. Department Person in charge Phone number Fax no E-mail address | | SAER Elettropompe Spa | |
| Operating area | Flow | Head | Impeller type |
| Operating data specification | 0 m ³ /h | 0 m | Impeller construction |
| Pump data | m ³ /h | m | Sense of rotation |
| | | | Outlet width |
| | Flow | Head | Shaft power P2 |
| | Min. Max. η Max. | H(Q=0) η Max. | P2(Q=0) Max. η Max. |
| | m ³ /h m ³ /h m ³ /h | m m | kW kW kW |
| | 0.581 2.4 1.82 | 38.8 16.8 | 0.259 0.191 |
| | | | Speed |
| | | | 1/min 2850 |
| | | | Frequency |
| | | | Hz 50 Hz |

 Performance data based to: Water, pure [100%]; 20°C; 0.998kg/dm³; 1mm²/s

UNI EN ISO 9906:2012 - Grade 3B



| | | | | |
|---------|------------|------------|-------------------|-------------|
| Project | Project ID | Created by | Created on | Last update |
| | | | 18/08/2023 | |