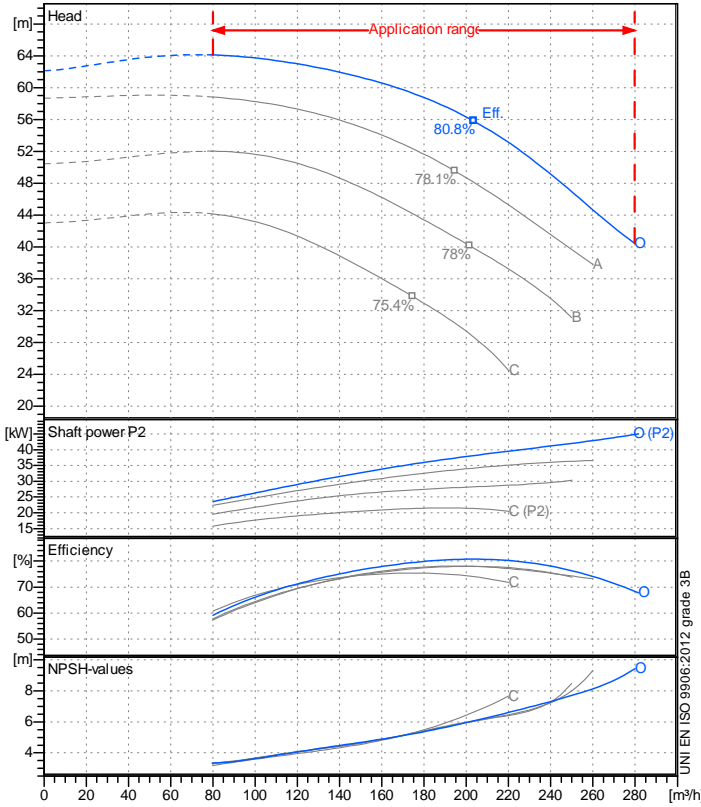


Receiver

From

 Company name
 Respons. Department
 Person in charge
 Phone number
 Fax no
 E-mail address

SAER Elettropompe Spa


Operating data specification

Nominal flow	m³/h	0
Nominal head	m	0
Static head	m	0
NPSH - v value of plant	m	0
Inlet pressure	bar	0.09793
Fluid	Water, pure	
Operating temperature t A	°C	20
Density at t A	kg/dm³	0.9983
Kin. viscosity at t A	mm²/s	1.005

Pump

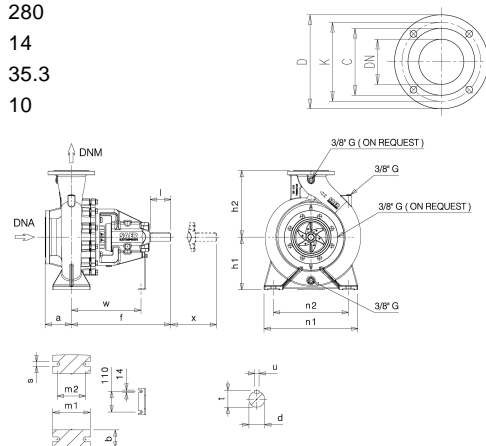
Pump name	NCB 80-2000-2P		
Size	100/80/200		
MEI (Reg. 547/2002 EU) >	0,6		
Speed 1/min	2900	No of stages	1
Impeller type			
Flow	Nominal	m³/h	
	Max-	m³/h	280
	Min-	m³/h	80
Head	Nominal	m	
	Max-	m	64.1
	Min-	m	40.5
Head H(Q=0)	m	62.2	
NPSH 3%	m		
Max. working pressure	bar	6.09	
Shaft power	kW		
Efficiency	%		
Max absorbed power	kW	45.021	

Materials Pump

Shaft	Stainless steel AISI 431 (1.4057)
Impeller	Cast iron EN-GJL-250
Pump body	Cast iron EN-GJL-250
Seal disc	Cast iron EN-GJL-250
Gasket	Aramidic fiber
Mech. seal EN 12756	

Dimensions in mm

a	125	w	340	DNM	DNA		
b	65	x	140	C	138	C	158
d k6	32	D	200	DN	80	DN	100
f	470	K	160	K	160	K	180
h1	180	n°	8 x 18 mm	n°	8 x 18 mm	n°	8 x 18 mm
h2	250						
l	50						
m1	125						
m2	95						
n1	345						
n2	280						
s	14						
t	35.3						
u	10						



Motor	Manufacturer / Type		
Efficiency	IEC 60034-30		
Rated power	kW	Efficiency 4/4	
Number of poles		Frame size	
Electric current	A	Speed	1/min
Electric voltage	V		Hz
Starting mode			
Degree of protection		Insulation class	

Remarks:

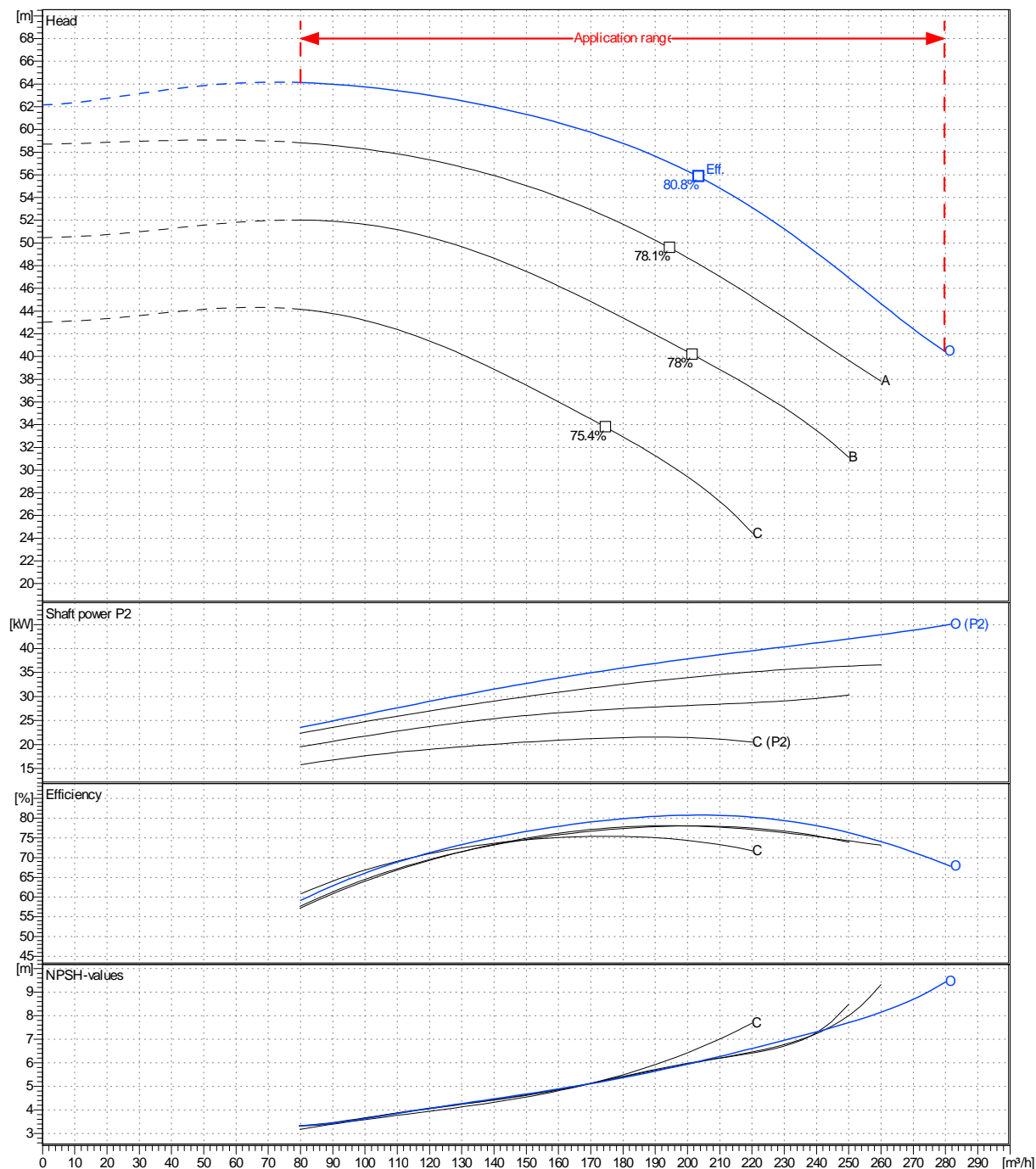
Project	Project ID	Created by	Created on	Last update
			2023-08-21	

Receiver		From	
Company name		SAER Elettropompe Spa	
Respons. Department		_____	
Person in charge		_____	
Phone number		_____	
Fax no		_____	
E-mail address		_____	

Operating area	Flow	Head	Impeller type
Operating data specification	0 m ³ /h	0 m	Impeller construction: Closed
Pump data	m ³ /h	m	Sense of rotation: Clockwise from the drive end
			Outlet width: DN80
	Flow	Head	Shaft power P2
	Min. Max. η Max.	H(Q=0) η Max.	P2(Q=0) Max. η Max.
	m ³ /h m ³ /h m ³ /h	m m	kW kW kW
	80 280 204	62.2 55.8	45 38.1
			Speed: 1/min 2900
			Frequency: Hz

Performance data based to: Water, pure [100%]; 20°C; 0.998kg/dm³; 1mm²/s

UNI EN ISO 9906:2012 - Grade 3B



Project	Project ID	Created by	Created on	Last update
			2023-08-21	

Revision no

SAER Elettropompe Spa

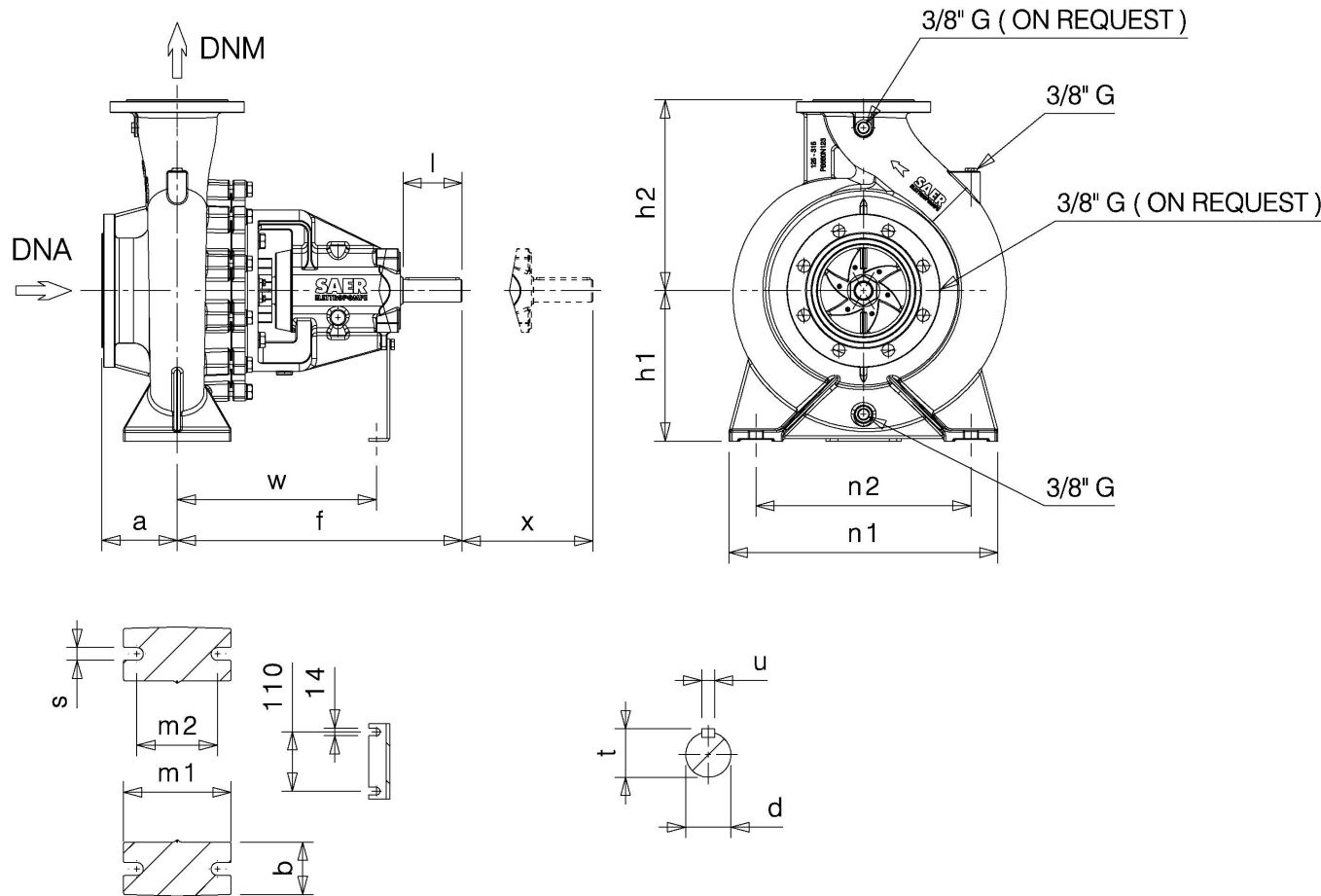
Pump dimensions

Connections

Suction side	Discharge port
DN100	DN80
PN10/16	PN10/16

Dimensions in mm

a	125
b	65
d k6	32
f	470
h1	180
h2	250
l	50
m1	125
m2	95
n1	345
n2	280
s	14
t	35.3
u	10
w	340
x	140



Disegni dimensionali e immagini non vincolanti. Saer si riserva il diritto di effettuare cambiamenti senza alcun preavviso.
Dimensional drawing and picture are not binding. Saer reserves the right to make changes without prior notice.

Project

Project ID

Created by

Created on
2023-08-21

Last update